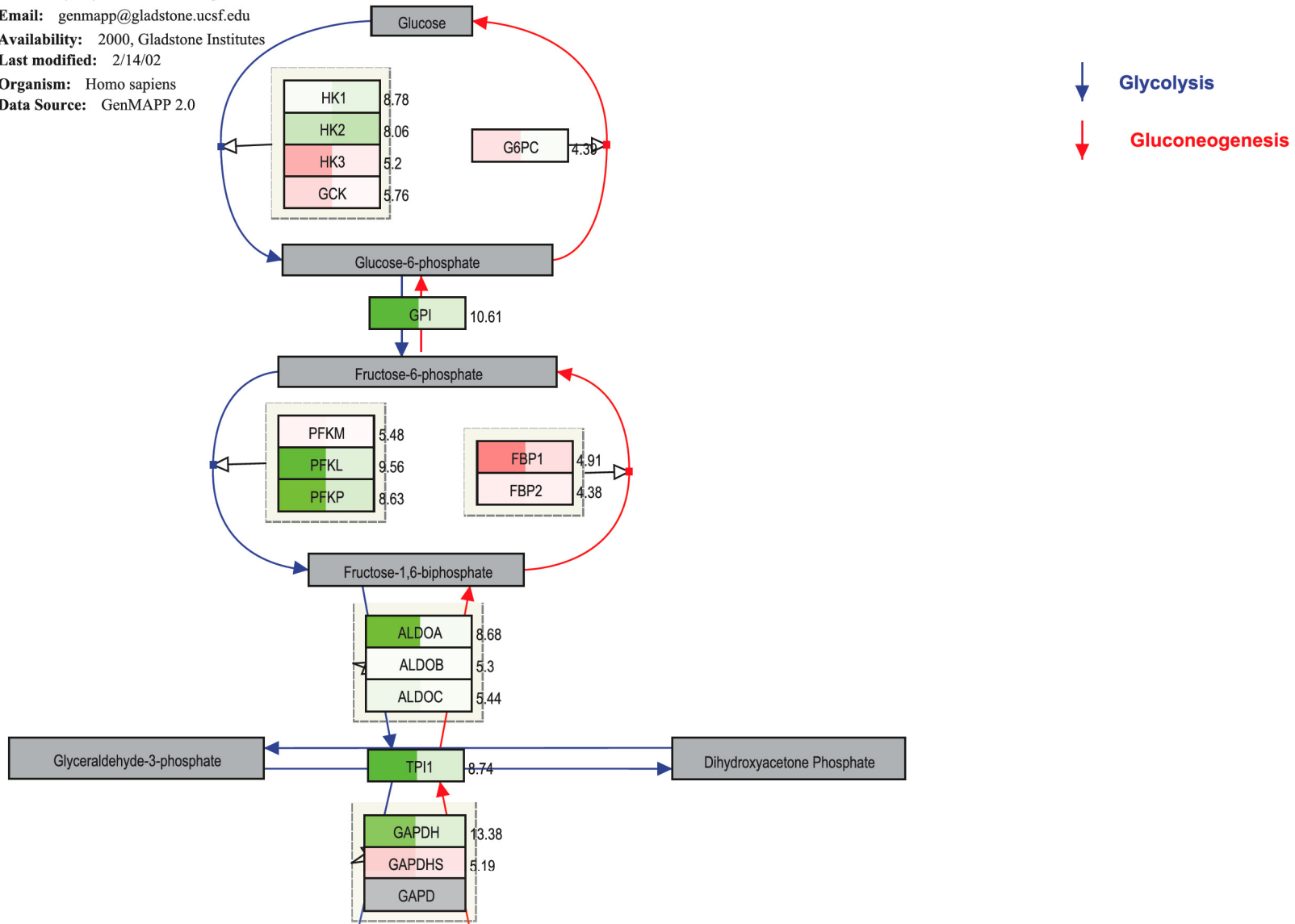


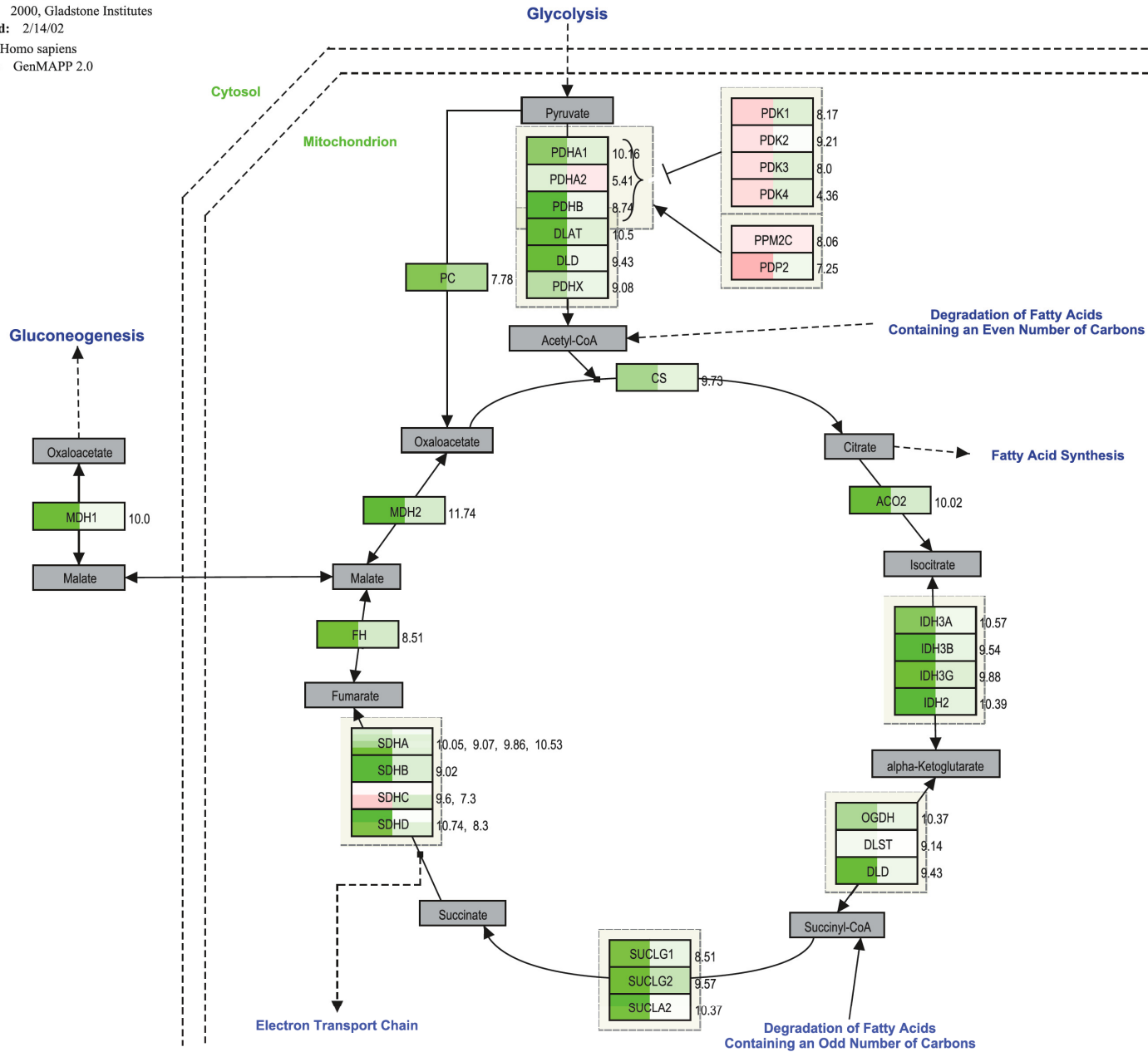
SUPPLEMENTARY MATERIAL

Title: Glycolysis and Gluconeogenesis
Email: genmapp@gladstone.ucsf.edu
Availability: 2000, Gladstone Institutes
Last modified: 2/14/02
Organism: Homo sapiens
Data Source: GenMAPP 2.0



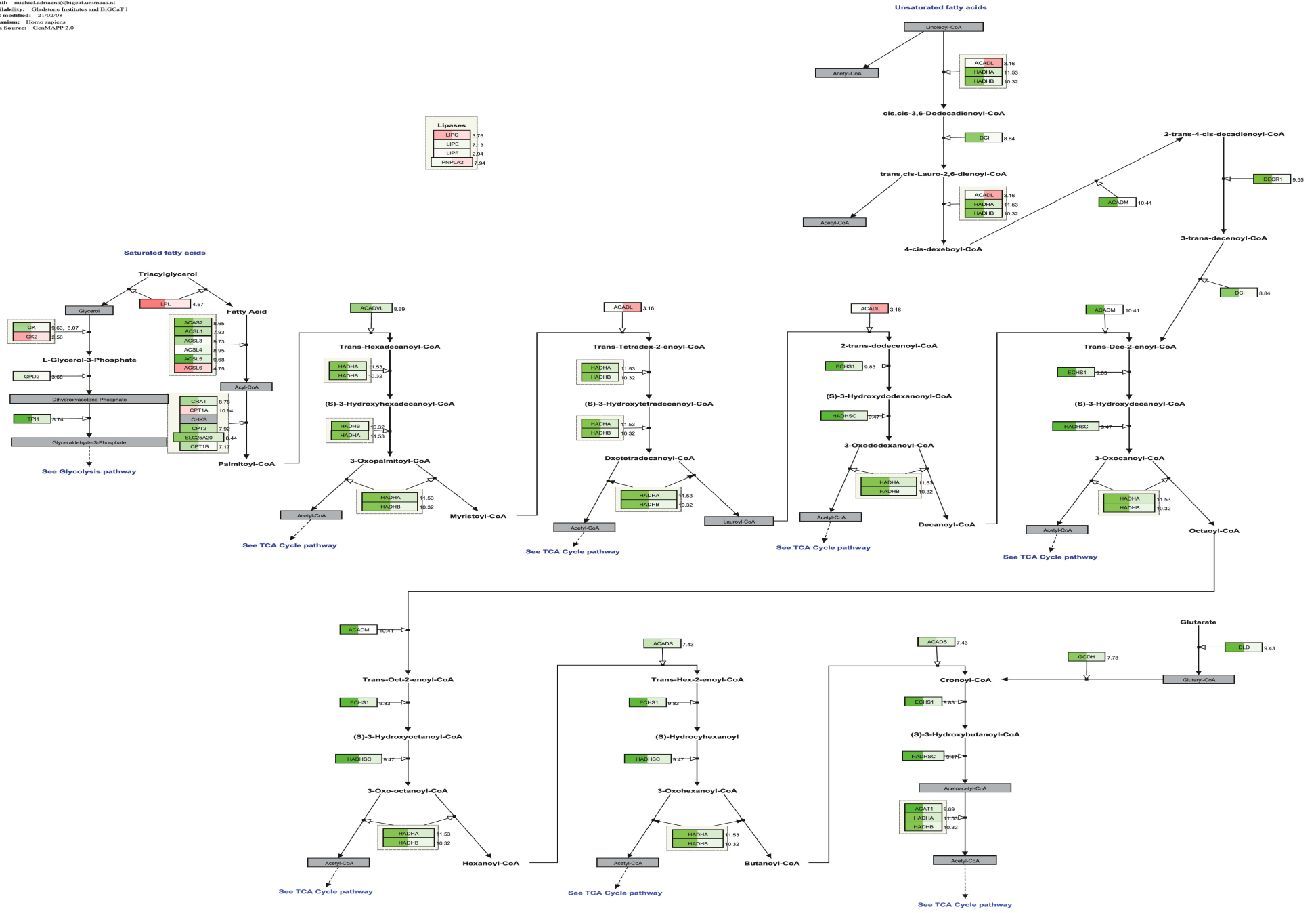
Suppl Fig. (1). Downregulation of the Glycolysis Pathway by SAHA and DAC.

Title: TCA Cycle
 Email: genmapp@gladstone.ucsf.edu
 Availability: 2000, Gladstone Institutes
 Last modified: 2/14/02
 Organism: Homo sapiens
 Data Source: GenMAPP 2.0



Suppl Fig. (2). Downregulation of the TCA cycle by SAHA and DAC.

Title: Fatty Acid Beta Oxidation
 Maintained by: Michiel Adriaens
 Email: michiel.adriaens@bigcat.unimaas.nl
 Availability: GlaxoSmithKline Institutes and BiGCaT 1
 Last modified: 21/02/08
 Organism: Homo sapiens
 Data Source: GenMAPP 3.0



Suppl Fig. (3). Downregulation of the mitochondrial beta oxidation by SAHA and DAC.